

IDP-2MPANPR2812 IDP-2MPANPR832 2 MP ANPR Ultra-Low Light Bullet Camera

DARKFIGHTER



smart IPC

The ANPR series ultra-low light smart cameras are able to capture vehicle and recognize vehicle number plate of various countries and regions in dim light environment.

IDP-2MPANPR2812 IDP-2MPANPR832 offers high resolution, 120dB WDR, Auto-iris, PoE, Defog, EIS, 3D DNR, etc., to meet a wide variety of applications.

1/1.8" Progressive Scan CMOS

1920 × 1080 @ 60fps

Ultra-low light

Auto-iris

120dB WDR

IP67

IR and white light, optional

Capture rate > 99% (certain countries and regions)

Recognition rate > 98% (certain countries and regions)

Function Description

Vehicle Detection and LPR

Support countries and regions of Mid-East, Africa, Asia-Pacific, America, Europe, Russian-speaking Countries.
In European and Russian-speaking regions, capture rate exceeds 99%, recognition rate exceeds 98%.

Smart

Smart recording: support edge recording and dual-VCA

Smart encoding: support low bit rate, low latency, ROI enhance encoding

Image

1920 × 1080 @60fps

Support auto iris, DC-drive

Support rotate mode, suitable for environment as corridor

Support target cropping, details can be seen with low bandwidth

Streaming smoothness setting for different requirements of image quality and fluency

Support H.264+/H.264/MPEG4/MJPEG video compression, multi-level video quality configuration; support Baseline Profile/Main Profile/High Profile H.264 encoding complexity.

Multiple OSD color: Black & white self-adaptive; Custom

120dB WDR is supportable for backlight environment

Support defog, BLC, EIS, 3D DNR

System

Support ONVIF (profile S/profile G), ISAPI protocol

Support three streams, and support 20 channels live view at the same time

Lightning protection, surge protection, voltage transient protection, anti-static protection

Interface

Support standard 128 G microSD/SDHC/SDXC card storage

Support 10M/100M Ethernet port

Support Audio I/O (-S)

Support Alarm I/O (-S)

Support CVBS analog output (4CIF resolution)

Security

Support three-level user authentication management, user and password authorization, and IP address filtering

Support security certificate as HTTPS

Lock user IP after certain times failed login attempts

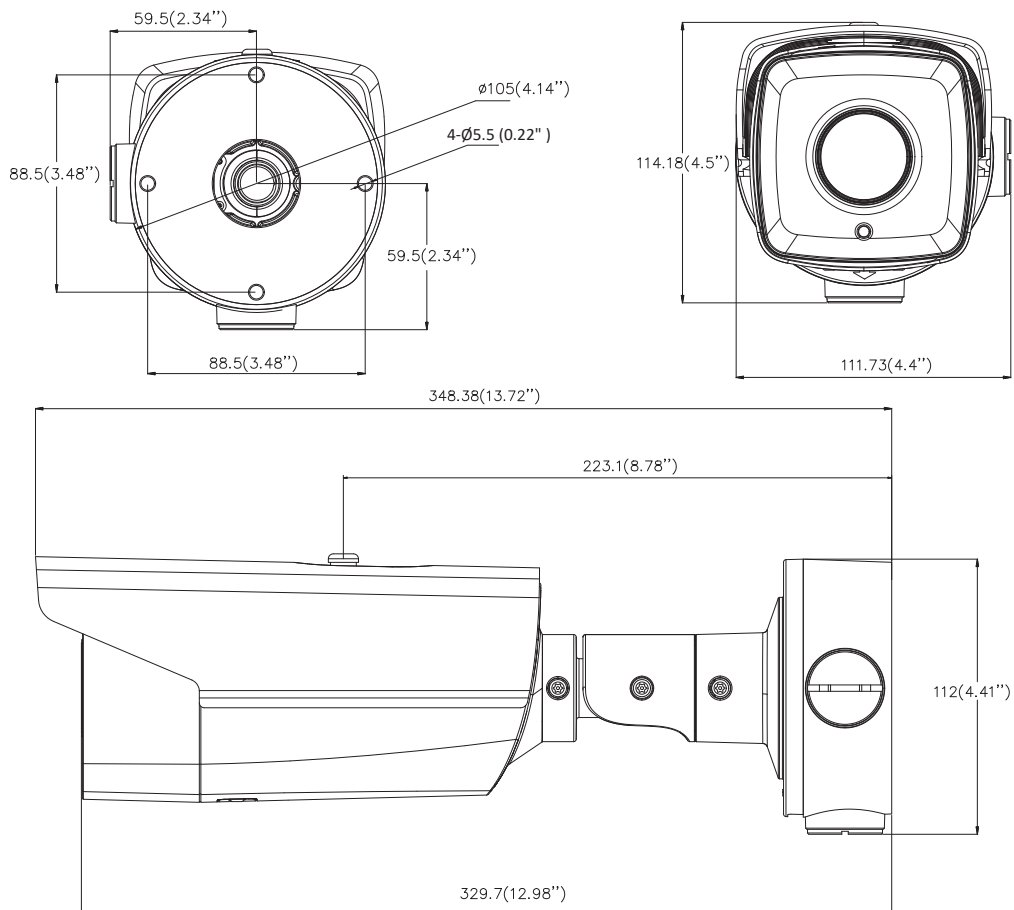
Specifications

| Camera | |
|------------------------------------|--------------------------------------------------------------------------------------------------------------------------------------------------------------------------|
| Image Sensor | 1/1.8" Progressive Scan CMOS |
| Min. Illumination | Color: 0.002 Lux @ (F1.2, AGC ON), 0.0027 Lux @ (F1.4, AGC ON), 0 Lux with IR |
| Shutter Speed | 1 s to 1/100,000 s, supports slow shutter |
| Lens | 2.8 mm to 12 mm, F1.4, horizontal field of view: 92° to 32° 8 mm to 32 mm, F1.6, horizontal field of view: 42° to 13.5° |
| Auto-iris | DC drive |
| Day & Night | IR cut filter with auto switch |
| Digital Noise Reduction | 3D DNR |
| WDR | 120dB |
| Compression Standard | |
| Video Compression | Main stream: H.264/MPEG4 Sub stream: H.264/MPEG4/MJPEG Third stream: H.264/MPEG4/MJPEG |
| H.264 Type | Baseline Profile/Main Profile/High Profile |
| H.264+ | Support |
| Video Bit Rate | 32 Kbps to 16 Mbps |
| Audio Compression (-S) | G.711/G.722.1/G.726/MP2L2 |
| Audio Bit Rate (-S) | 64Kbps (G.711) /16Kbps (G.722.1) /16Kbps (G.726) /32-160Kbps (MP2L2) |
| Image | |
| Max. Resolution | 1920 × 1080 |
| Main Stream Max. Frame Rate | 50Hz: 50fps (1920 × 1080, 1280 × 960, 1280 × 720) 60Hz: 60fps (1920 × 1080, 1280 × 960, 1280 × 720) |
| Sub Stream Max. Frame Rate | 50Hz: 25fps (704 × 576, 640 × 480, 352 × 288) 60Hz: 30fps (704 × 480, 640 × 480, 352 × 240) |
| Third Stream Max. Frame Rate | 50Hz: 25fps (1920 × 1080, 1280 × 960, 1280 × 720, 704 × 576, 640 × 480, 352 × 288) 60Hz: 30fps (1920 × 1080, 1280 × 960, 1280 × 720, 704 × 480, 640 × 480, 352 × 240) |
| Image Enhancement | BLC /3D DNR/Defog/EIS |
| Image Setting | Rotate mode, saturation, brightness, contrast, sharpness adjustable by client software or web browser |
| Region of Interest | Support 4 fixed region for each stream, and dynamic tracking |
| Target Cropping | Support |
| Day/Night Switch | Auto/Schedule/Triggered by Alarm In (-S) |
| Picture Overlay | LOGO picture can be overlaid on video with 128 × 128 24bit bmp format |
| Road Traffic and Vehicle Detection | |
| Accuracy | European and Russian-Speaking Regions: Capture Rate > 99% Recognition Rate > 98% |
| Vehicle Speed | Support vehicle speed under 120 km/h (74.6 mi/h) |
| Line number | Up to 4 lines supported. Recommended to set 1 or 2 lines for best performance |
| Direction | Support capture and recognition of vehicles both approaching and leaving |
| Whitelist and Blacklist | Up to 2048 |

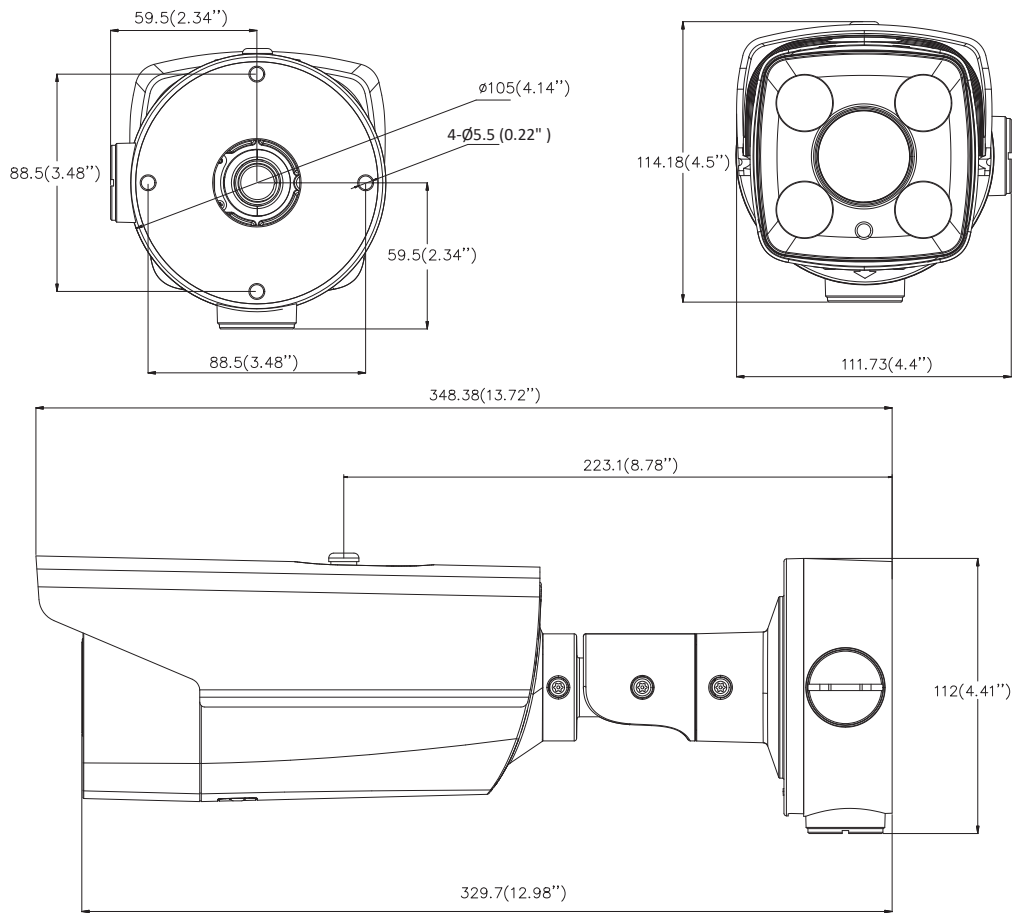
| | |
|-------------------------------|------------------------------------------------------------------------------------------------------------------------------------------------------------------------------------------------------------------------------------------------------------------------------------------------------------------------------------------------------------------------------------------------------------------------------------------------------------------------------------------------------------------------------------------------------------------------------------------------------------------------------------------------------------------------------------------------------------------------------------------------------------------------------------------------------------------------------------------------------------------------------------------------------------------------------------------------------------------------------------------------------------------------------------------------------------------------------------------------------------------|
| Countries and Regions | <p>Mid-East: Turkey, United Arab Emirates, Qatar, Iran, Iraq, Morocco, Egypt, Jordan, Kuwait, Saudi Arabia, Tunisia, Palestine, Pakistan</p> <p>Africa: South Africa, Kenya, Nigeria, Tanzania, Mauritius</p> <p>Asia-Pacific: Australia, Mauritius, New Zealand, Indonesia, Malaysia, Singapore, South Korea, Thailand, Vietnam, the Philippines, Hong Kong, Macao, Taiwan, Burma, Japan, India, Mongolia</p> <p>America: United States of America, Colombia, Brazil, Ecuador, Peru, Mexico</p> <p>Europe: Slovakia, Italy, Spain, France, Germany, Poland, France, Czech Republic, Netherlands, Denmark, Luxembourg, Greece, Albania, Bosnia and Herzegovina, Ireland, Malta, Sweden, Switzerland, Portugal, Macedonia, Croatia, Finland, United Kingdom, Romania, Serbia, Bulgaria, Norway, Israel, Hungary, Austria, Vatican City State, Cyprus, Iceland, Slovenia, Turkey, Montenegro</p> <p>Russian-Speaking Countries: Azerbaijan, Belarus, Kazakhstan, Lithuania, Georgia, Estonia, Latvia, Armenia, Russian Federation, Ukraine, Moldova, Belarus, Turkmenistan, Uzbekistan</p> |
| Network | |
| Network Storage | Support microSD/SDHC/SDXC card (128G), local storage and NAS (NFS,SMB/CIFS), ANR |
| Alarm Trigger | Road traffic, motion detection, video tampering alarm, network disconnected, IP address conflict, illegal login, HDD full, HDD error |
| Protocols | TCP/IP, ICMP, HTTP, HTTPS, FTP, DHCP, DNS, DDNS, RTP, RTSP, RTCP, PPPoE, NTP, UPnP, SMTP, SNMP, IGMP, 802.1X, QoS, IPv6 |
| General Function | One-key reset, anti-flicker, three streams, heartbeat, password protection, privacy mask, watermark, IP address filter, mirror |
| Standard | ONVIF (profile S, profile G), ISAPI |
| Interface | |
| Communication Interface | 1 RJ45 10M/100M Ethernet port |
| Audio (-S) | With -S model: 1 audio input(line in/mic in), 1 audio output |
| Alarm (-S) | With -S model: 1 input, 1 output |
| Video Output | 1Vp-p composite output (75 Ω/BNC) |
| On-board storage | Built-in microSD/SDHC/SDXC slot, up to 128 G |
| Reset Button | Yes |
| Audio (-S) | |
| Environment Noise Filtering | Support |
| Audio I/O | Support |
| Audio Sampling Rate | 16kHz/32kHz/44.1kHz/48 kHz |
| General | |
| Operating Conditions | -IZS/P, -IZ/P, -LZS/P: -30 °C to +60 °C (-22 °F to +140 °F), Humidity 95% or less (non-condensing) -IZHS/P: -40 °C to +60 °C (-40 °F to +140°F), Humidity 95% or less (non-condensing) |
| Power Supply | 12 VDC ± 10%, terminal block PoE (802.3at, class 4) |
| Power Consumption and Current | -(IZS)(IZ)/P: 12 VDC, max. 13.3 W, 1.2 A; PoE, max. 17.6 W, 0.3 A to 0.5 A -IZHS/P: 12 VDC, max. 14.5 W, 1.3 A; PoE, max. 19.2 W, 0.3 A to 0.5 A -LZS/P: 12 VDC, max. 18.1 W, 1.6 A; PoE, max. 24 W, 0.4 A to 0.6 A |
| IR | -IZ/P, -IZS/P, -IZHS/P: 850 nm IR wavelength, up to 50 meters for 2.8 to 12 mm lens, up to 100 m for 8 to 32 mm lens |
| White Light | -LZS/P: up to 50 meters for 2.8 to 12 mm lens, up to 100 m for 8 to 32 mm lens |
| Heater | -IZHS: support |

| | |
|------------|----------------------------------------------------|
| Protection | IP67 |
| Dimensions | 348.38 × 114.18 × 111.73 mm (13.72" × 4.5" × 4.4") |
| Weight | Approx. 2075 g (4.57 lb.) |

Dimensions -IZ/P, -IZS/P, -IZHS/P:



-LZS/P:



Accessories

