

IDC-ANT 9dBi Circular Antenna



Specifications

Performance

Frequency:	840-960MHz
Gain	9 dBi
"H" beam angle	70°
"E" beam angle	70°
Front-back	≥20 dB
Polarization	Right Circular or Left Circular
Impedance	50 (Ω)
VSWR	<1.3:1
Maximum Input Power	100W
Connector	SMA- male or Customize

IM.3rd Order(2x43dBm)

<-150dBc

Lightning Protection

DC to ground

Physical

Working Temperature:

-30 - +70°C

Storage Temperature:

-40 - +85°C

Atmospheric Pressure:

86kPa ~ 108kPa

Relative Humidity:

5%-95% RH no condensing

Size:

290mm×290mm×55mm

Weight:

600g

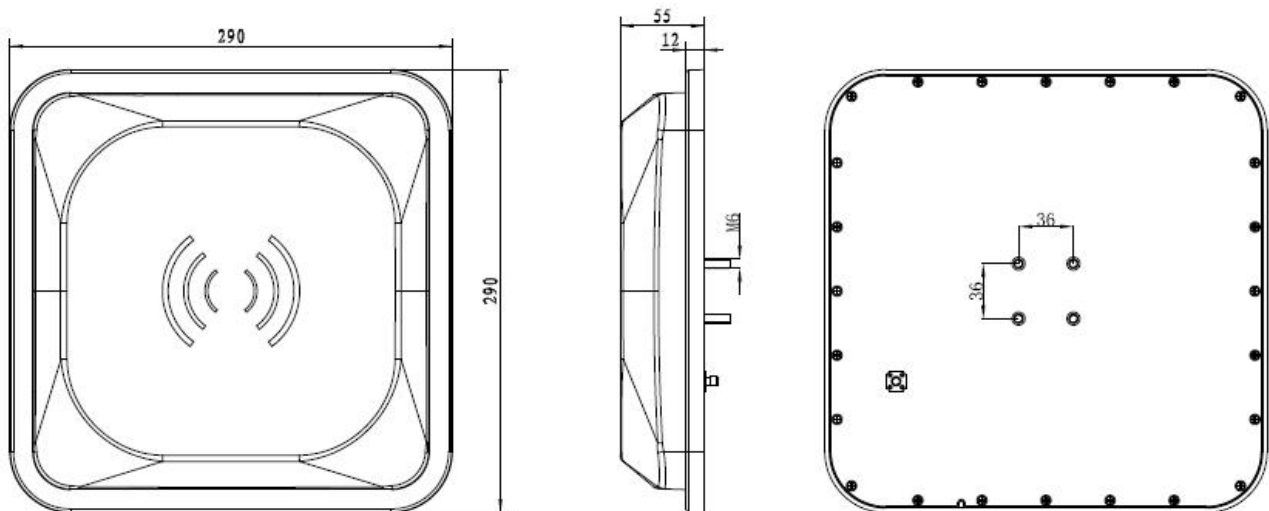
Housing Material:

Aluminum + Engineering plastic ASA

Protection level:

IP66

Drawing



Name	Theta	Ang	Mag
m1	0.0000	0.0000	9.1860

Radiation Pattern 1

